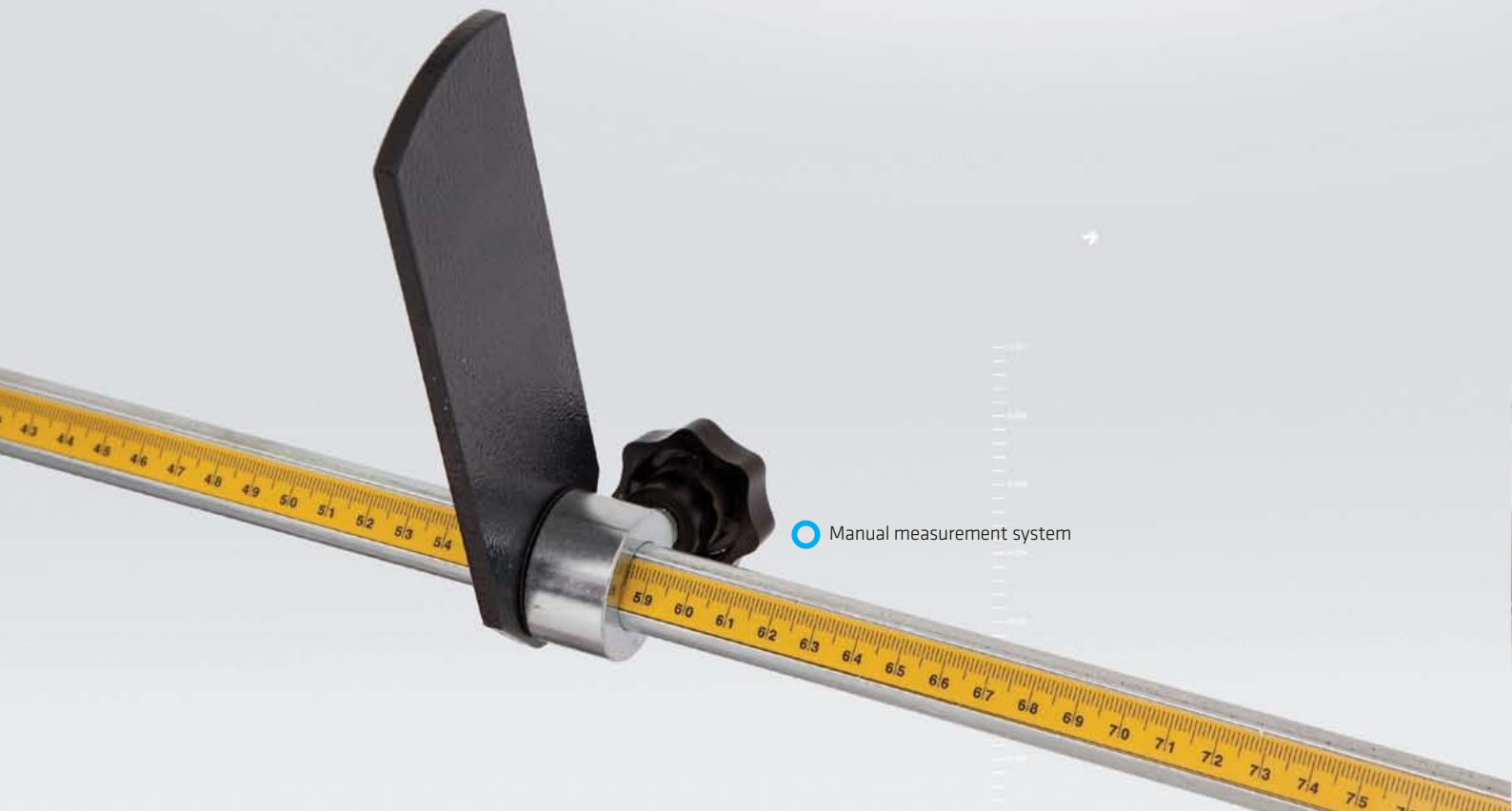
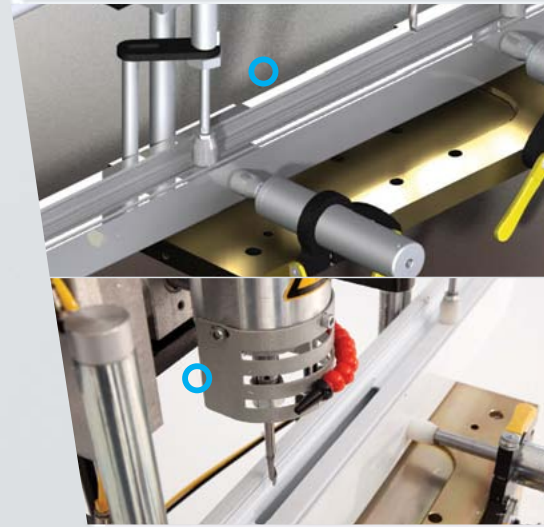


DF4060

Manual Copy Routing
Machine



Manual measurement system



Opening espagnolette canals

FEATURES

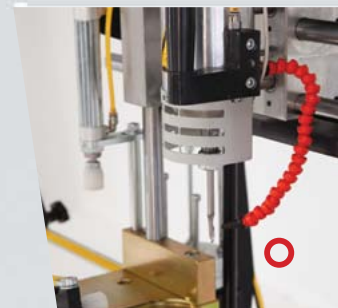
- For opening holes of door handles, sash fastener canals and espagnolette on PVC and Aluminium profiles.
- Adjustable to 4 different depth with mechanical adjustment stopers.
- Both 5 mm and 8 mm drills can be used thanks to two level copy pin system.
- Manually controlled by guidance of pursuit piece on template.
- Pneumatic profile clamping system
- Electropneumatic control
- Copy routing ratio is 1:1.
- Opens canals on two axis without template thanks to thrust miles
- Copy Router motor working with only one button
- Manual measurement system
- Absolute safety against accidents thanks to CE certificated safety components



Opening holes of door handles

OPTIONAL EQUIPMENTS

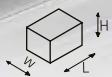
- 15482 Cutting oil spray system (for aluminium)
- 15463 Centering device (hand-wheel driven).



Cutting oil spray system



○ Features
○ Optional Equipment



L = 850/2507 mm
W = 750 mm
H = 1700 mm



400 V
L1-L2-L3-N-PE
50 / 60 Hz
0.75 kW



125 kg



A = 95 mm
B = 260 mm
C = 105 mm



ØD = 8 mm
17.230 rpm



6-8 Bar
5 l / Cycle